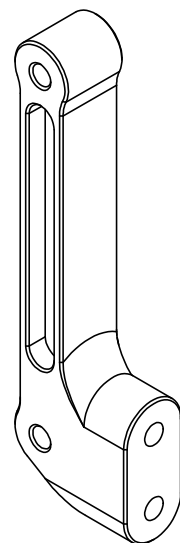
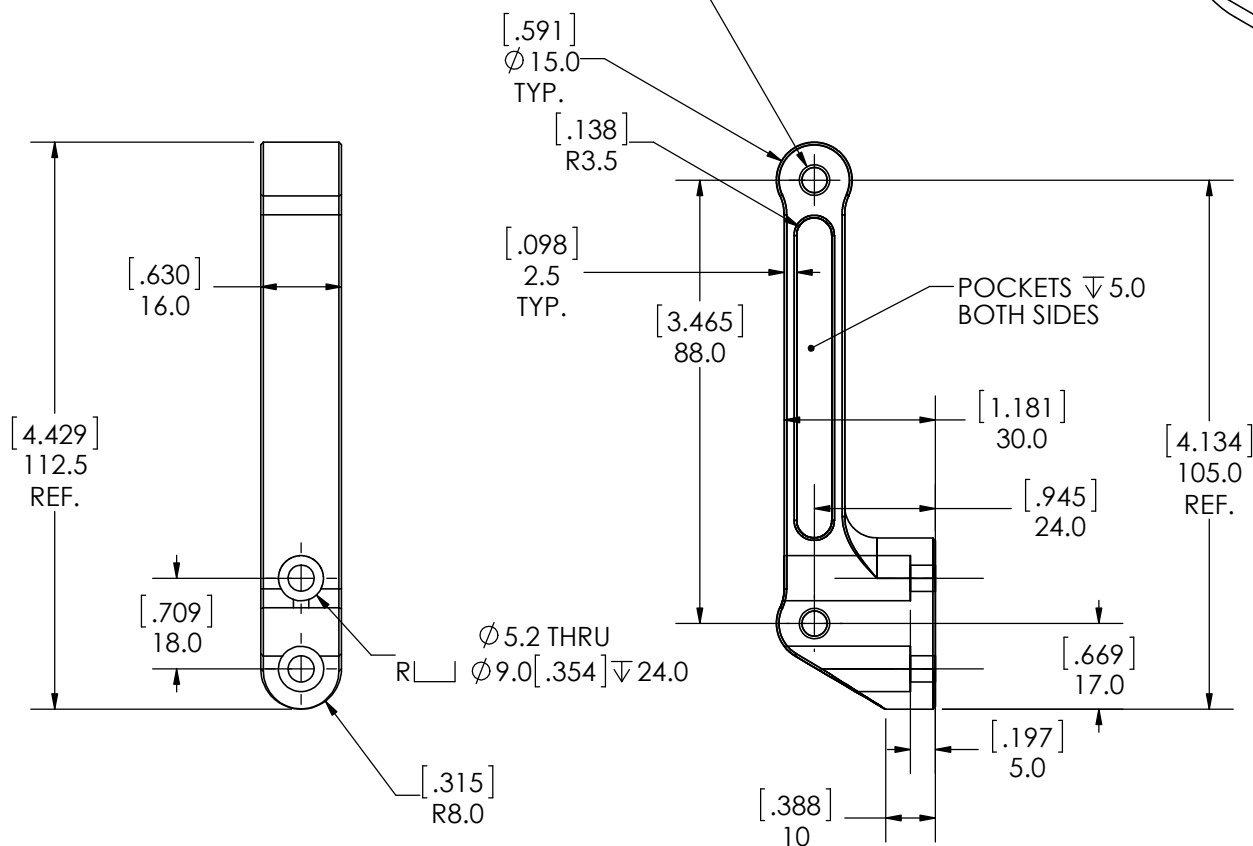


REV.	REVISION DESCRIPTION	REDRAWN	APPROVED
*	*	*	*

DEBURR ALL  
.5 CHAMFER UNLESS SPECIFIED  
USE WITH 06-13 TRIUMPH 675 FRONT FENDER  
215 MOUNT BRACKET WIDTH



2X  $\phi$  5.0 [0.197] THRU ALL  
M6X1.0 - 6H THRU ALL  
 $\surd$   $\phi$  6.1 [0.238] X 90°, NEAR SIDE



TOLERANCES: Dimensions are in  
0 =  $\pm$  .5 MILLIMETERS [IN]  
0.0 =  $\pm$  .1 unless specified  
0.00 =  $\pm$  .05

The information contained in this drawing is the sole property of Race Tech. Any reproduction in part or whole without written permission is prohibited.

**RACE TECH**

1501 Pomona Road, Corona, CA 92880  
951.279.6655 fax: 951.279.7171

FK BOTTOM FENDER MOUNT-06-13 TRI 675

MATERIAL:	6061-T6 ALUMINUM	DRAWN:	PT 3-11-14	SCALE:1:2	PART NO. FPFB FM03	FINISHED P/N *	DWG. NO. 2206	REV. *
FINISH:	ANODIZE	APPROVED:	*	SHEET 1 OF 1	FILE FPFB FM03 FENDER MOUNT TRI 675.slddrw			
COLOR:	SPEC COLOR BY ORDER	ECR#:	*					