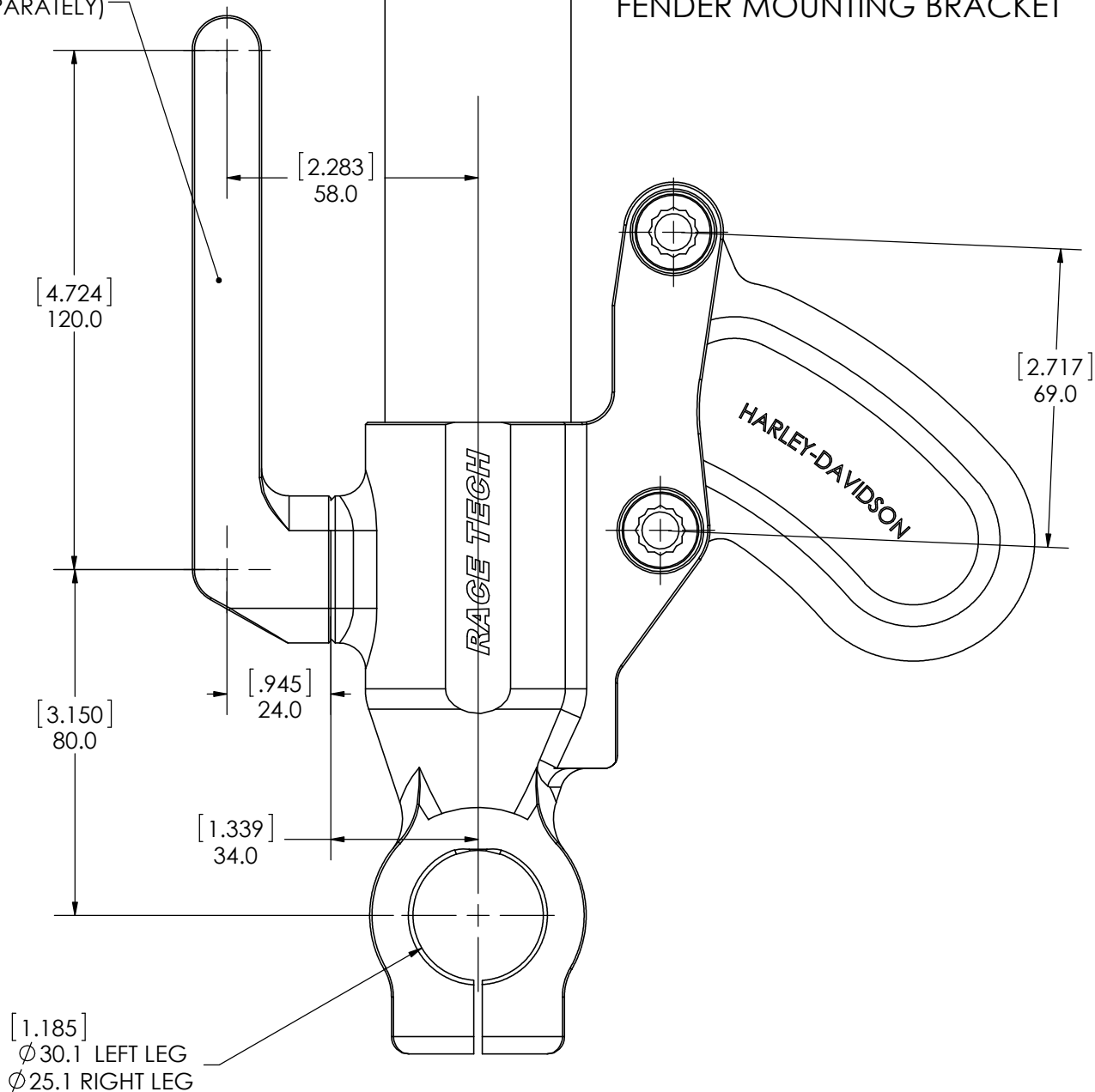


| REV. | REVISION DESCRIPTION | REDRAWN | APPROVED |
|------|----------------------|---------|----------|
| *    |                      | *       | *        |

FPFB FM04  
FENDER MOUNT  
(SOLD SEPARATELY)

DYNA STYLE WITH  
OPTIONAL UNIVERSAL FPFB FM04  
FENDER MOUNTING BRACKET



TOLERANCES: Dimensions are in  
0 = ± .5 MILLIMETERS [IN]  
0.0 = ± .1 unless specified  
0.00 = ± .05

The information contained in this drawing is the sole property of Race Tech. Any reproduction in part or whole without written permission is prohibited.

**RACE TECH**

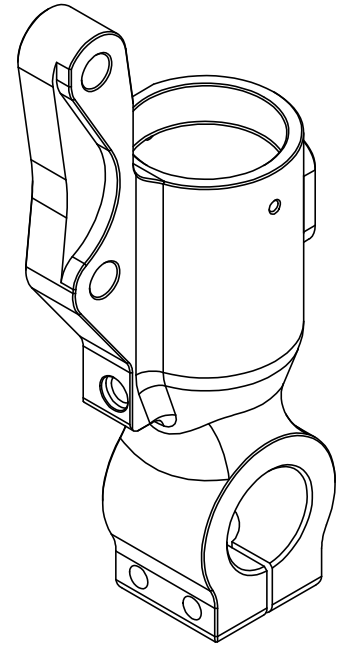
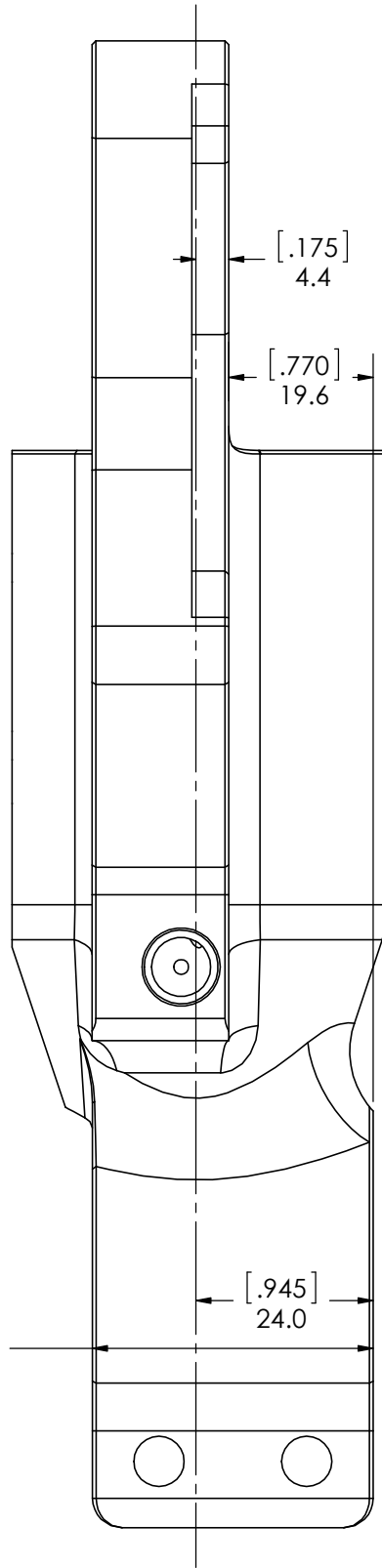
1501 Pomona Road, Corona, CA 92880  
951.279.6655 fax: 951.279.7171

RT G6 FORK ASSY FOR DIMS - DYNA STYLE

|             |                  |              |                                 |                |            |        |
|-------------|------------------|--------------|---------------------------------|----------------|------------|--------|
| MATERIAL: * | DRAWN: PT 3-6-14 | SCALE:1:10   | PART NO. *                      | FINISHED P/N * | DWG. NO. * | REV. * |
| FINISH: *   | APPROVED: *      | SHEET 1 OF 5 | FILE                            |                |            |        |
| COLOR: *    | ECR#: *          |              | G6 FORK BOTTOM ASSY DYNA.slddrw |                |            |        |

# LEFT BACK VIEW

| REV. | REVISION DESCRIPTION | REDRAWN | APPROVED |
|------|----------------------|---------|----------|
| *    | *                    | *       | *        |



TOLERANCES: Dimensions are in MILLIMETERS [IN] unless specified  
 0 = ± .5  
 0.0 = ± .1  
 0.00 = ± .05

The information contained in this drawing is the sole property of Race Tech. Any reproduction in part or whole without written permission is prohibited.

## RACE TECH

1501 Pomona Road, Corona, CA 92880  
 951.279.6655 fax: 951.279.7171

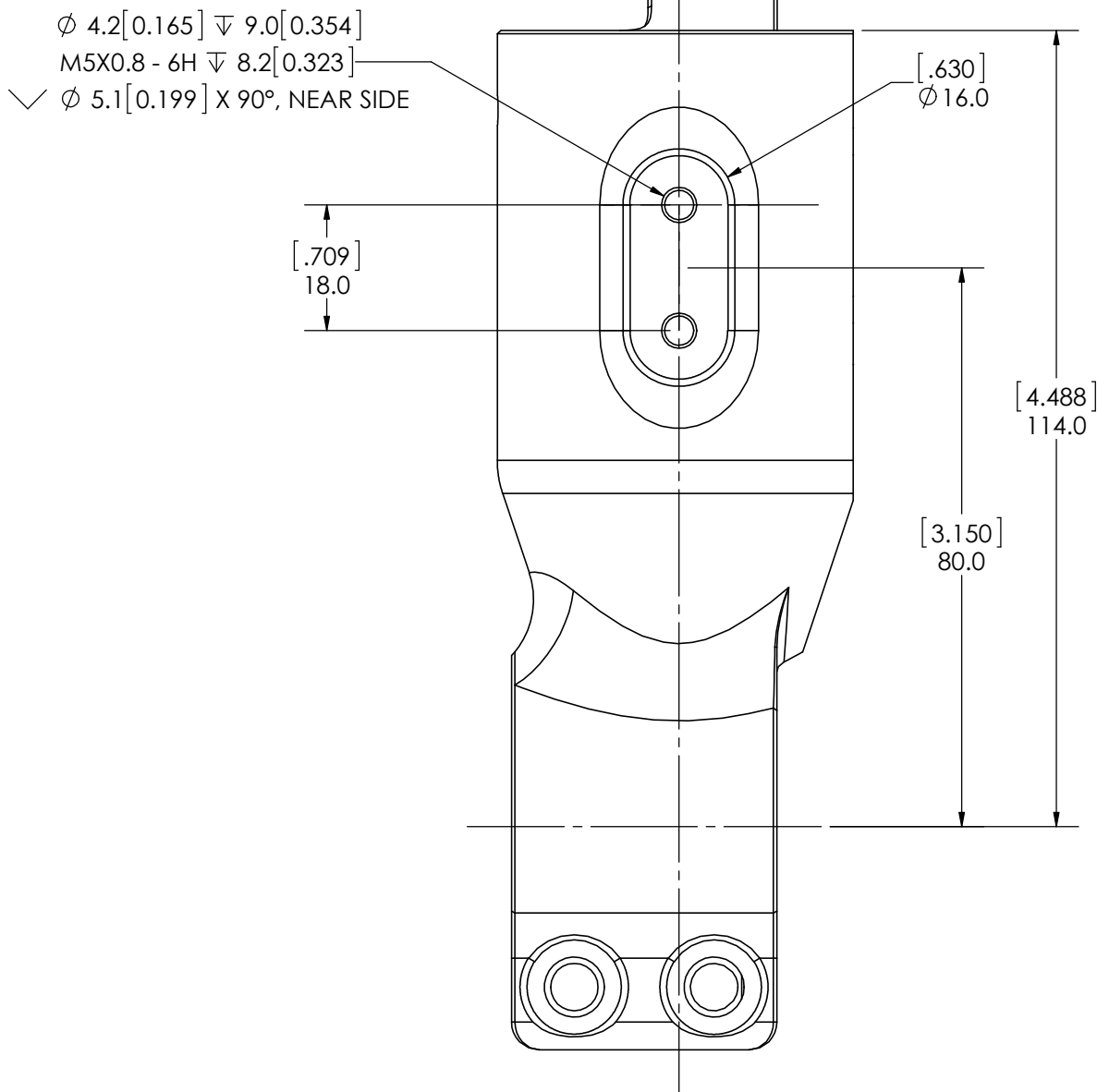
### FK BOTTOM 43 RT 14 DYNA- LEFT

|           |                  |           |           |              |   |              |                  |           |
|-----------|------------------|-----------|-----------|--------------|---|--------------|------------------|-----------|
| MATERIAL: | 6061-T6 ALUMINUM | DRAWN:    | PT 3-5-14 | SCALE:1:10   | PART NO.<br>FPFB S43004L                | FINISHED P/N | DWG. NO.<br>2203 | REV.<br>C |
| FINISH:   | HARD-ANODIZE     | APPROVED: |           | SHEET 2 OF 5 | FILE<br>G6 FORK BOTTOM ASSY DYNA.slddrw |              |                  |           |
| COLOR:    | BLACK            | ECR#:     |           |              |   |              |                  |           |

| REV. | REVISION DESCRIPTION | REDRAWN | APPROVED |
|------|----------------------|---------|----------|
| *    | *                    | *       | *        |

# LEFT FRONT VIEW FENDER MOUNT BOSS

USE (2) M5 x .8 x 10L ALLEN  
BOLTS TO ATTACH FENDER  
MOUNT BRACKET



TOLERANCES: Dimensions are in  
0 = ± .5 MILLIMETERS [IN]  
0.0 = ± .1 unless specified  
0.00 = ± .05

The information contained in this drawing is the sole property of Race Tech. Any reproduction in part or whole without written permission is prohibited.

## RACE TECH

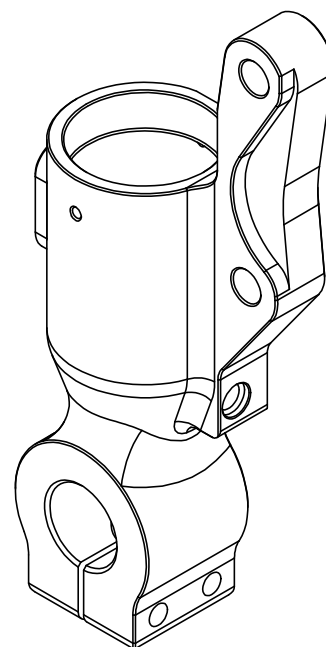
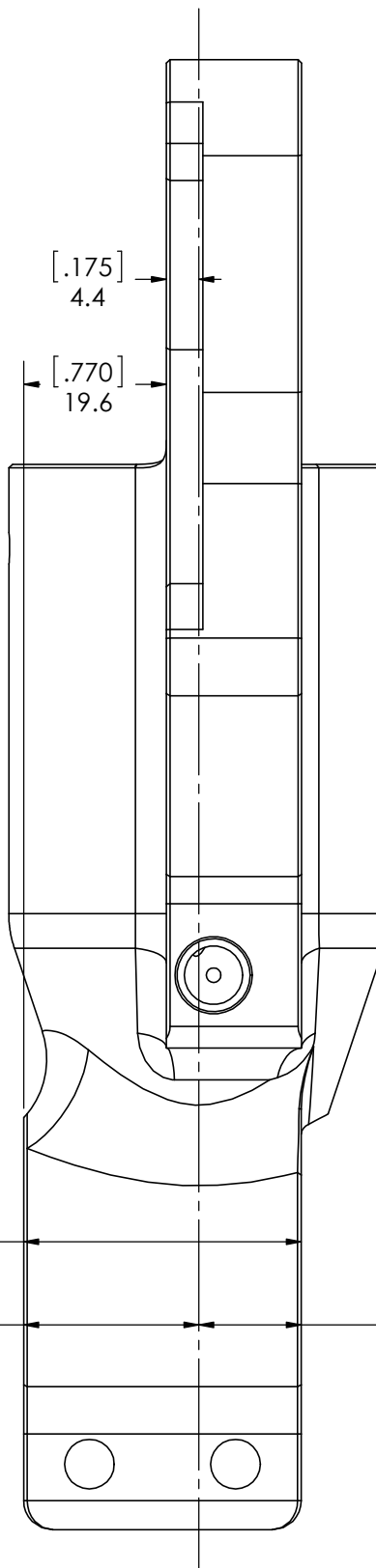
1501 Pomona Road, Corona, CA 92880  
951.279.6655 fax: 951.279.7171

### FK BOTTOM 43 RT 14 DYNA- LEFT

|           |                  |           |           |              |   |              |          |      |
|-----------|------------------|-----------|-----------|--------------|---|--------------|----------|------|
| MATERIAL: | 6061-T6 ALUMINUM | DRAWN:    | PT 3-5-14 | SCALE:1:10   | PART NO.<br>FPFB S43004L                | FINISHED P/N | DWG. NO. | REV. |
| FINISH:   | HARD-ANODIZE     | APPROVED: |           | SHEET 3 OF 5 | FILE<br>G6 FORK BOTTOM ASSY DYNA.slddrw |              | 2203     | C    |
| COLOR:    | BLACK            | ECR#:     |           |              |   |              |          |      |

| REV. | REVISION DESCRIPTION | REDRAWN | APPROVED |
|------|----------------------|---------|----------|
| *    | *                    | *       | *        |

RIGHT BACK VIEW  
 OPTIONAL BRAKE  
 MOUNTING BOSS  
 MIRROR OF LEFT FORK BOTTOM



TOLERANCES: Dimensions are in  
 0 = ± .5 MILLIMETERS [IN]  
 0.0 = ± .1 unless specified  
 0.00 = ± .05

The information contained in this drawing is the sole property of Race Tech. Any reproduction in part or whole without written permission is prohibited.

**RACE TECH**

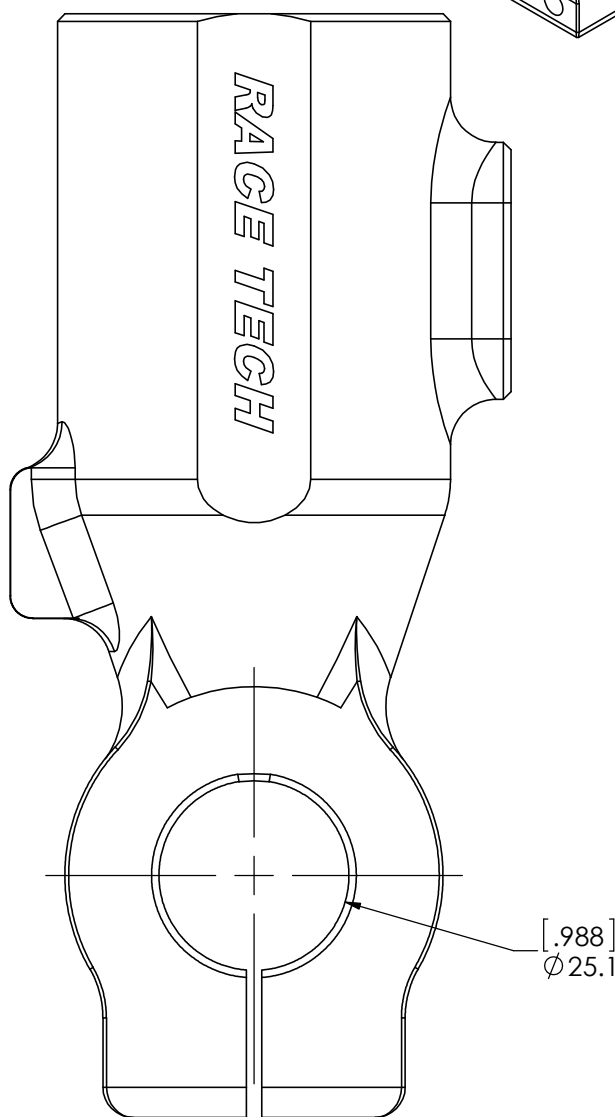
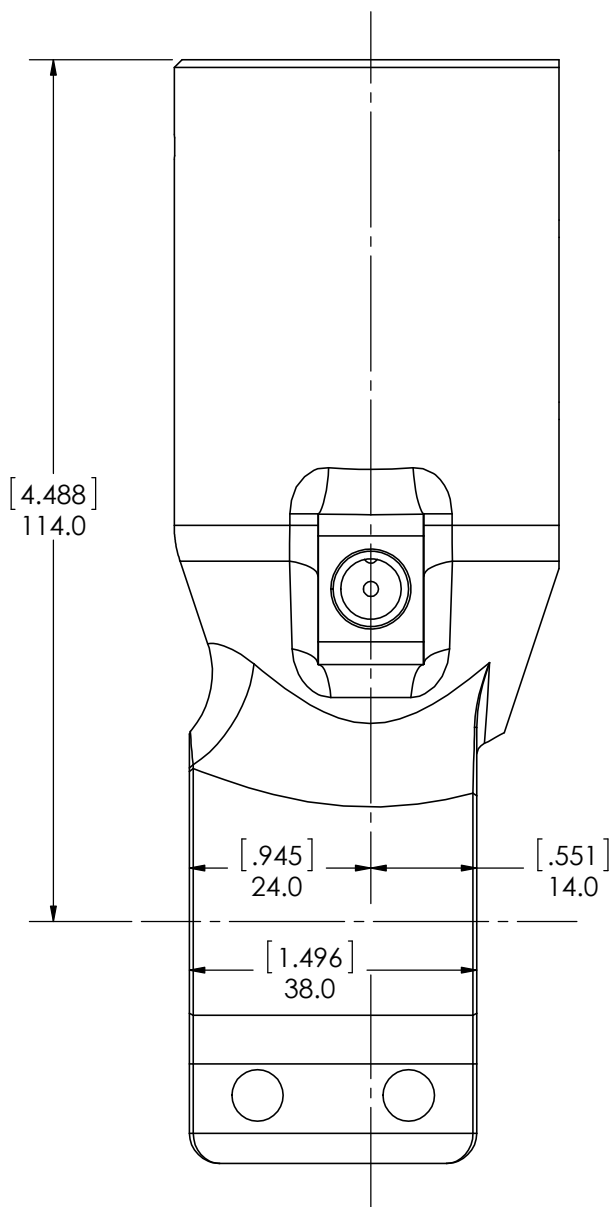
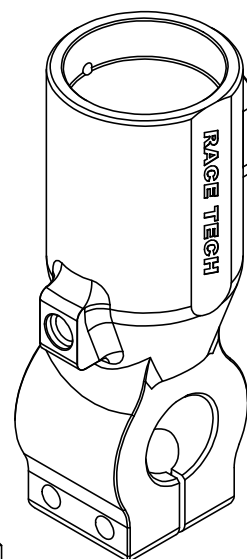
1501 Pomona Road, Corona, CA 92880  
 951.279.6655 fax: 951.279.7171

FK BOTTOM RT43 DYNA RIGHT - DUAL DISK

|           |                  |           |           |              |                                 |              |          |      |
|-----------|------------------|-----------|-----------|--------------|---------------------------------|--------------|----------|------|
| MATERIAL: | 6061-T6 ALUMINUM | DRAWN:    | PT 3-8-14 | SCALE:1:10   | PART NO.<br>FPFB S43004R2       | FINISHED P/N | DWG. NO. | REV. |
| FINISH:   | HARD-ANODIZE     | APPROVED: |           | FILE         | G6 FORK BOTTOM ASSY DYNA.slddrw |              | 2105     | C    |
| COLOR:    | BLACK            | ECR#:     |           | SHEET 4 OF 5 |                                 |              |          |      |

| REV. | REVISION DESCRIPTION | REDRAWN | APPROVED |
|------|----------------------|---------|----------|
| *    | *                    | *       | *        |

# RIGHT BACK VIEW NO BRAKE



TOLERANCES: Dimensions are in MILLIMETERS [IN] unless specified  
 0 =  $\pm .5$   
 0.0 =  $\pm .1$   
 0.00 =  $\pm .05$

The information contained in this drawing is the sole property of Race Tech. Any reproduction in part or whole without written permission is prohibited.

## RACE TECH

1501 Pomona Road, Corona, CA 92880  
 951.279.6655 fax: 951.279.7171

### FK BOTTOM 43 RT 14 DYNA - RIGHT

|           |                  |           |           |              |   |              |                  |           |
|-----------|------------------|-----------|-----------|--------------|---|--------------|------------------|-----------|
| MATERIAL: | 6061-T6 ALUMINUM | DRAWN:    | PT 3-5-14 | SCALE:1:10   | PART NO.<br>FPFB S43004R                | FINISHED P/N | DWG. NO.<br>2204 | REV.<br>C |
| FINISH:   | HARD-ANODIZE     | APPROVED: |           | SHEET 5 OF 5 | FILE<br>G6 FORK BOTTOM ASSY DYNA.slddrw |              |                  |           |
| COLOR:    | BLACK            | ECR#:     |           |              |   |              |                  |           |