

RACE TECH FORK COMP GOLD VALVE

FMGV ALL BOLT

<IPM FMGV ALL BOLT.doc> © 9-23-19

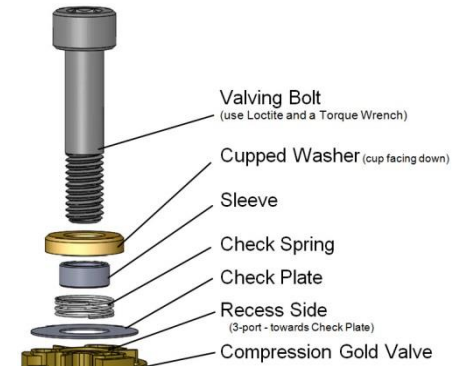
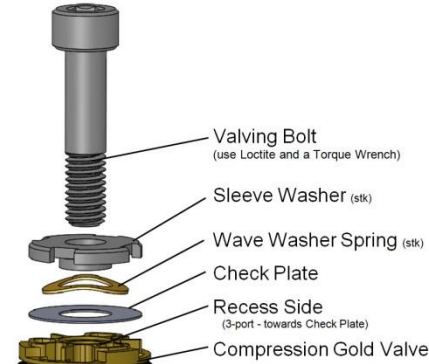
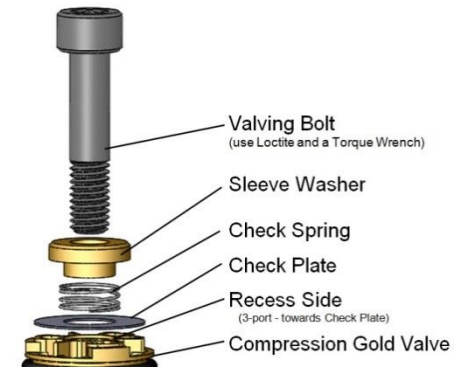
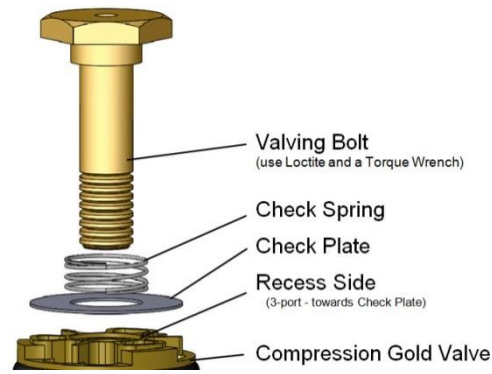
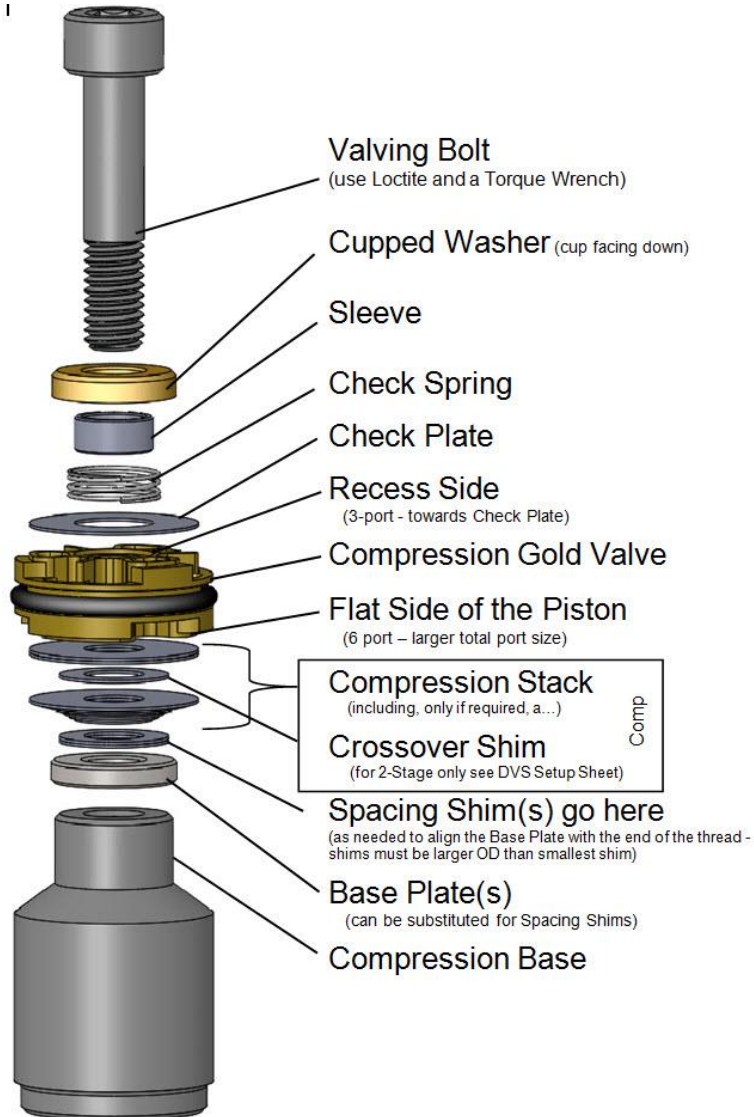
Go to racetech.com...

DVS Custom Setup Sheet – see DVS Valving Search

DVS Fk Access Code – attached

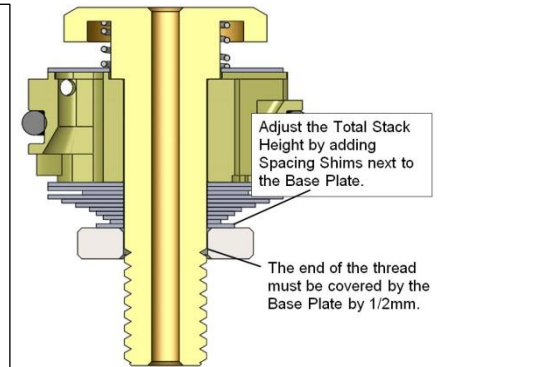
Instructions – see your bike in Product Search

Note: You will have extra shims



TOTAL STACK HEIGHT

Make sure the Check Plate is aligned, compress the completed stack and make sure the Bolt does not run out of thread when assembled. Make sure the Spacing Shims are larger in diameter than the last (smallest) valving shim.



PISTON ORIENTATION – make sure the correct side is up

