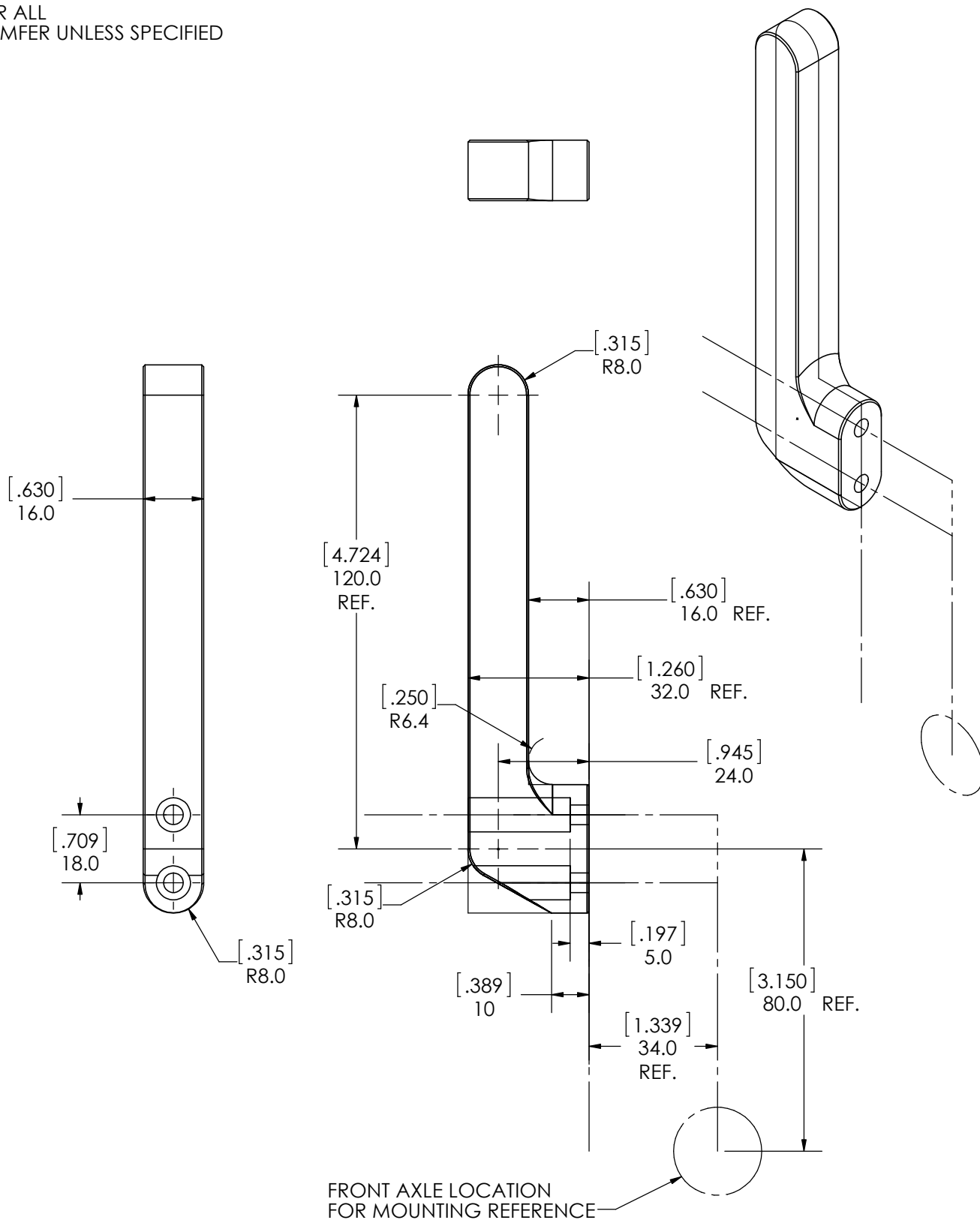


REV.	REVISION DESCRIPTION	REDRAWN	APPROVED
*	*	*	*

DEBURR ALL
.5 CHAMFER UNLESS SPECIFIED



TOLERANCES: Dimensions are in
0 = ± .5 MILLIMETERS [IN]
0.0 = ± .1 unless specified
0.00 = ± .05

The information contained in this drawing is the sole property of Race Tech. Any reproduction in part or whole without written permission is prohibited.

RACE TECH

1501 Pomona Road, Corona, CA 92880
951.279.6655 fax: 951.279.7171

FK BOTTOM FENDER MOUNT- UNIVERSAL

MATERIAL:	6061-T6 ALUMINUM	DRAWN:	PT 3-11-14	SCALE:1:2	PART NO. FPFB FM04	FINISHED P/N *	DWG. NO. 2207	REV. *
FINISH:	ANODIZE	APPROVED:	*	FILE	FPFB FM04 FENDER MOUNT UNIVERSAL.slddrw			
COLOR:	SPEC COLOR BY ORDER	ECR#:	*	SHEET 1 OF 1				