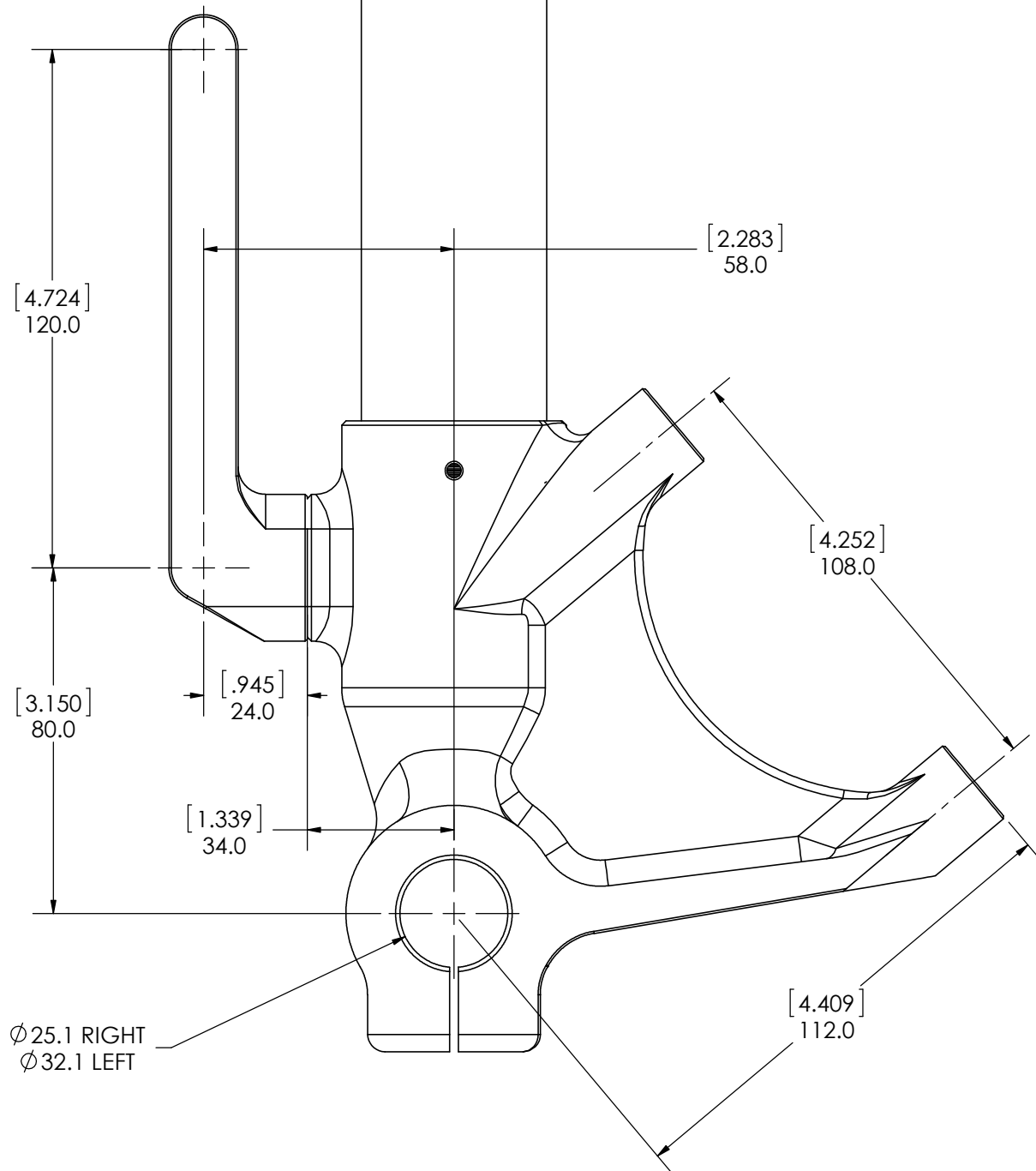


REV.	REVISION DESCRIPTION	REDRAWN	APPROVED
*	*	*	*

GSXR STYLE WITH
 OPTIONAL UNIVERSAL FMFB FM04
 FENDER MOUNTING BRACKET



TOLERANCES: Dimensions are in
 0 = ± .5 MILLIMETERS [IN]
 0.0 = ± .1 unless specified
 0.00 = ± .05

The information contained in this drawing is the sole property of Race Tech. Any reproduction in part or whole without written permission is prohibited.

RACE TECH

1501 Pomona Road, Corona, CA 92880
 951.279.6655 fax: 951.279.7171

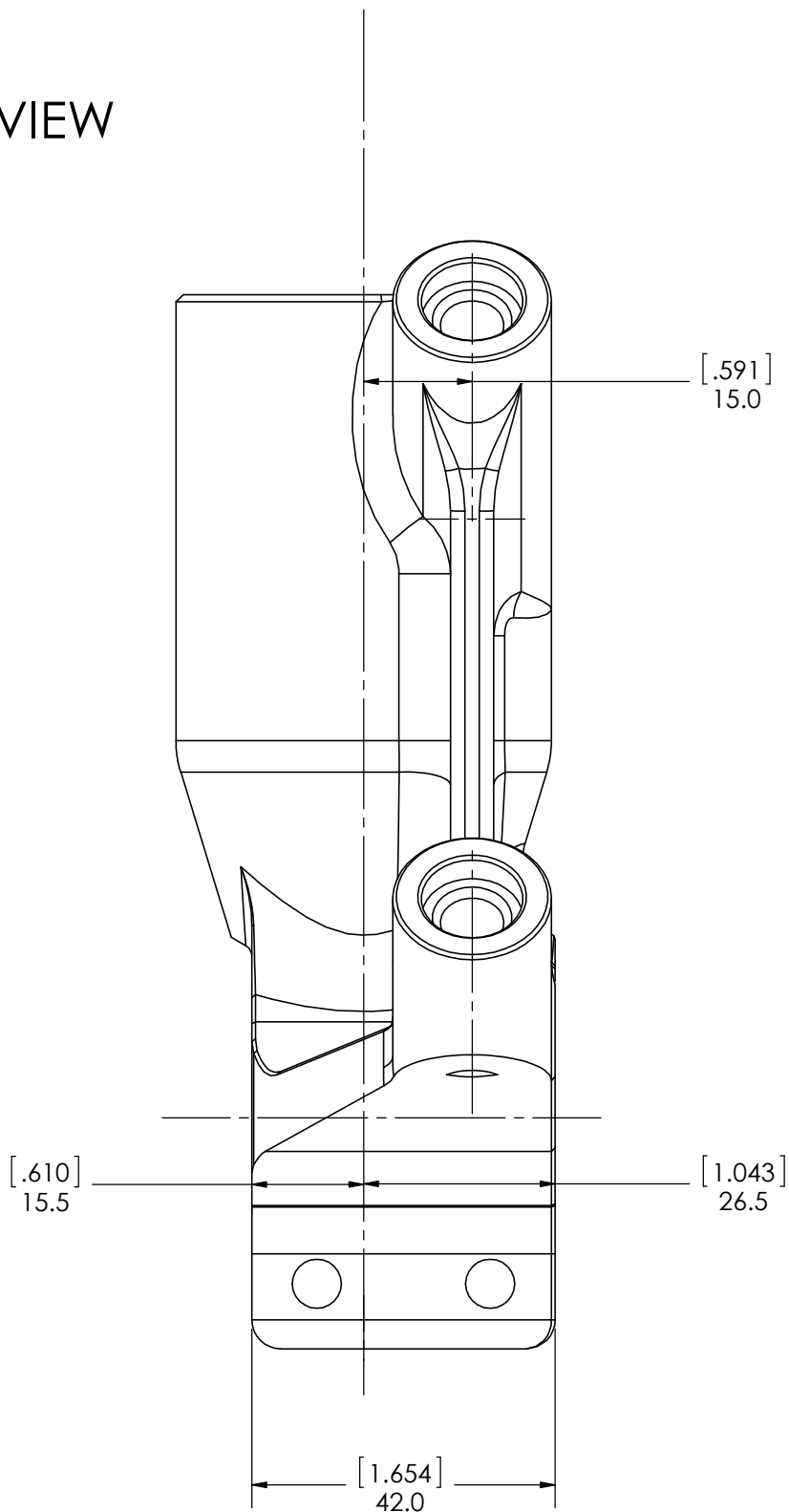
RT G6 FORK ASSY FOR DIMS - GSXR STYLE

MATERIAL:	*	DRAWN:	PT 3-26-14
FINISH:	*	APPROVED:	*
COLOR:	*	ECR#:	*

SCALE:1:10	PART NO. *	FINISHED P/N *	DWG. NO. *	REV. *
SHEET 1 OF 4	FILE G6 FORK BOTTOM ASSY GSXR.slddrw			

REV.	REVISION DESCRIPTION	REDRAWN	APPROVED
*	*	*	*

LEFT BACK VIEW



TOLERANCES: Dimensions are in MILLIMETERS [IN] unless specified
 0 = ± .5
 0.0 = ± .1
 0.00 = ± .05

The information contained in this drawing is the sole property of Race Tech. Any reproduction in part or whole without written permission is prohibited.

RACE TECH

1501 Pomona Road, Corona, CA 92880
 951.279.6655 fax: 951.279.7171

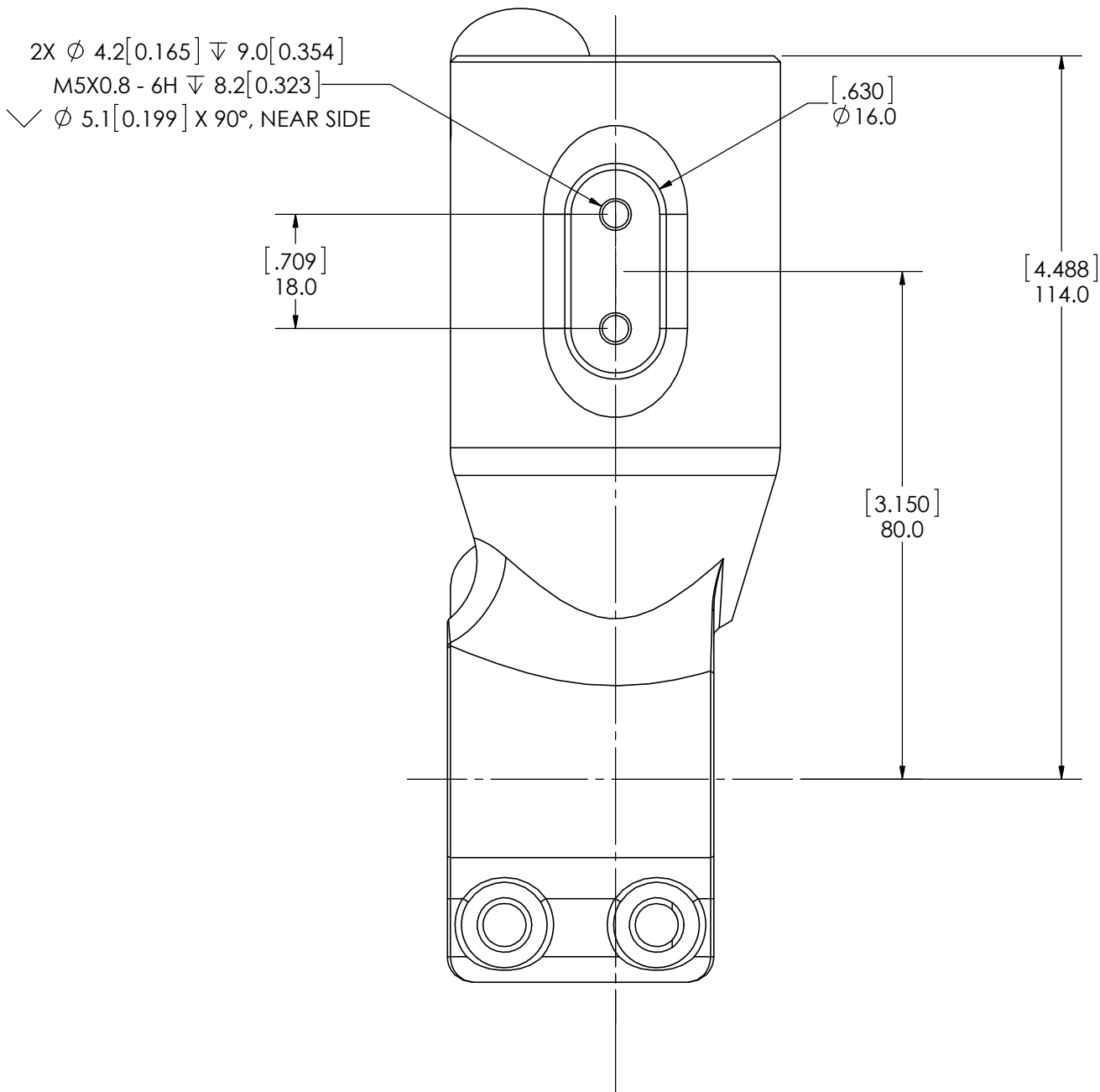
FK BOTTOM 43 RT 14GSXR1K - LEFT

MATERIAL:	6061-T6 ALUMINUM	DRAWN:	PT 1-10-14	SCALE:1:10	PART NO. FPFB S43002LB	FINISHED P/N	DWG. NO.	REV.
FINISH:	HARD-ANODIZE	APPROVED:		SHEET 2 OF 4	FILE G6 FORK BOTTOM ASSY GSXR.slddrw		2180	*
COLOR:	BLACK	ECR#:						

REV.	REVISION DESCRIPTION	REDRAWN	APPROVED
*	*	*	*

LEFT FRONT VIEW

USE (2) M5 x .8 x 10L ALLEN BOLTS TO ATTACH FENDER MOUNT BRACKET



TOLERANCES: Dimensions are in
 0 = ± .5 MILLIMETERS [IN]
 0.0 = ± .1 unless specified
 0.00 = ± .05

The information contained in this drawing is the sole property of Race Tech. Any reproduction in part or whole without written permission is prohibited.

RACE TECH

1501 Pomona Road, Corona, CA 92880
 951.279.6655 fax: 951.279.7171

FK BOTTOM 43 RT 14GSXR1K - LEFT

MATERIAL:	6061-T6 ALUMINUM	DRAWN:	PT 1-10-14	SCALE:1:10	PART NO. FPFB S43002LB	FINISHED P/N	DWG. NO.	REV.
FINISH:	HARD-ANODIZE	APPROVED:		SHEET 3 OF 4	FILE G6 FORK BOTTOM ASSY GSXR.slddrw		2180	*
COLOR:	BLACK	ECR#:						

REV.	REVISION DESCRIPTION	REDRAWN	APPROVED
*	*	*	*

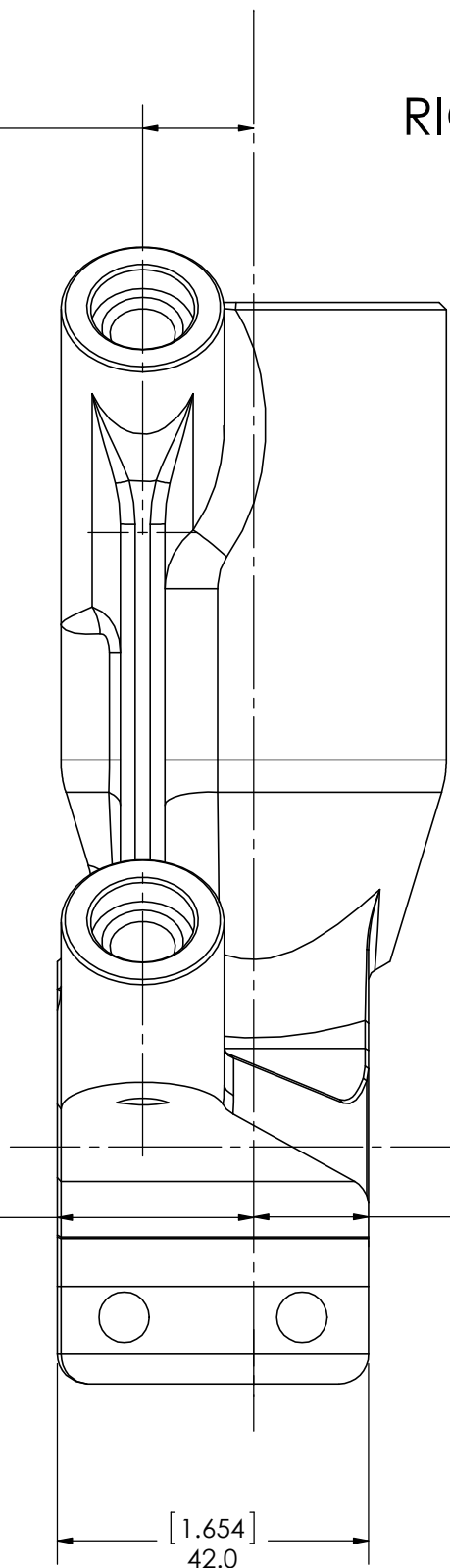
[.591]
15.0

RIGHT BACK VIEW

[1.043]
26.5

[.610]
15.5

[1.654]
42.0



TOLERANCES: Dimensions are in
0 = ± .5 MILLIMETERS [IN]
0.0 = ± .1 unless specified
0.00 = ± .05

The information contained in this drawing is the sole property of Race Tech. Any reproduction in part or whole without written permission is prohibited.

RACE TECH

1501 Pomona Road, Corona, CA 92880
951.279.6655 fax: 951.279.7171

FK BOTTOM 43 RT 14GSXR1K - RIGHT

MATERIAL:	6061-T6 ALUMINUM	DRAWN:	PT 1-10-14	SCALE:1:10	PART NO. FPFB S43002RB	FINISHED P/N	DWG. NO.	REV.
FINISH:	HARD-ANODIZE	APPROVED:		SHEET 4 OF 4	FILE G6 FORK BOTTOM ASSY GSXR.slddrw		2181	*
COLOR:	BLACK	ECR#:						