



1501 Pomona Rd, Corona, CA 92878 • 951.279.6655 • racetech.com

CUSTOM VALVE SEAT FORM

<ValveSeatForm.doc> A Flores © 6/1/22

Name _____ Date _____

Address _____

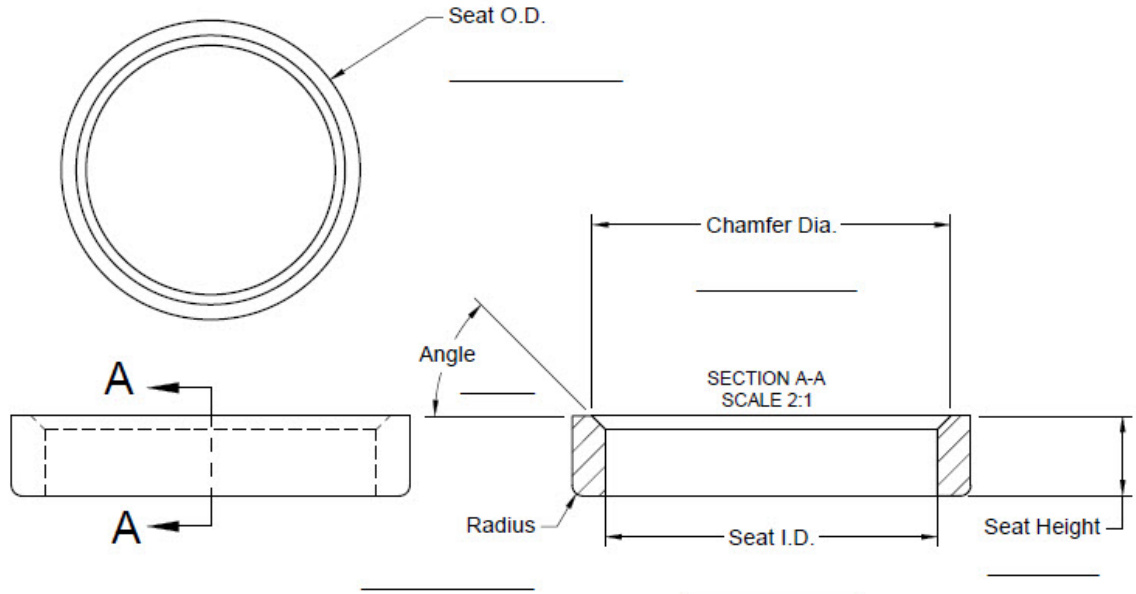
City _____ St _____ Zip _____ Country _____

Phone _____ Email _____

Year _____ Make _____ Model _____

INTAKE SEAT

QTY: _____



EXHAUST SEAT

QTY: _____

